

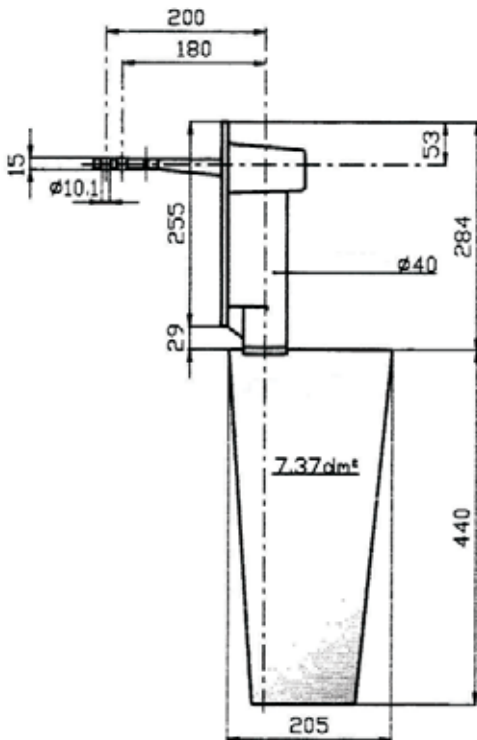


RUDDERS

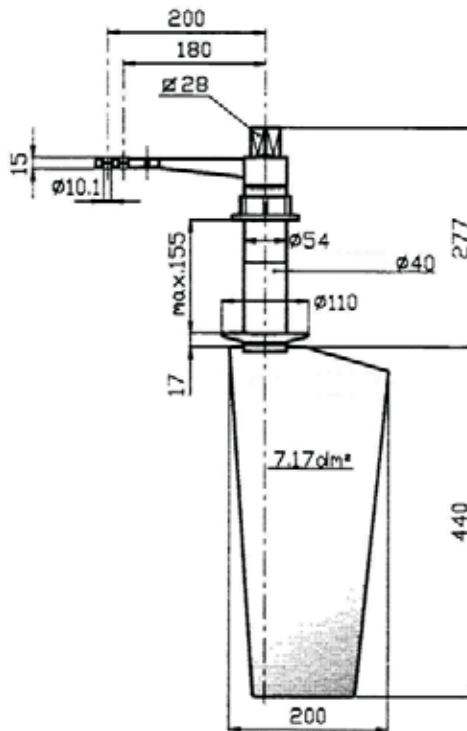
ELICHE RADICE S.p.A.

EUROPES LARGEST VOLUME PROPELLER MANUFACTURER

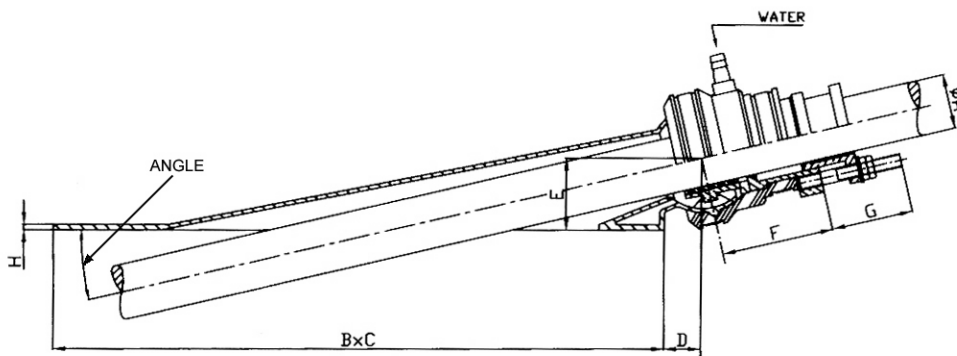
Type 16/17-S.0° Weight 15 Kg



Type 16/17-P Weight 12 Kg



Light Duty	
Series	Price
12 6 V	£450.00
12 6 P	£450.00
16 7 P	£655.00
16 7 V	£655.00
16 7 S 0	£710.00
16 7 S 12	£710.00
14 10 P	£720.00
14 10 V	£720.00
14 10 V 10	£720.00
14 10 S 0	£775.00
14 10 S 12	£775.00
16 11 P	£785.00
16 11 V	£785.00
16 11 S 0	£830.00
16 11 S 12	£830.00
25 11 P&V	£1090.00
16 13 P	£985.00
16 13 V	£985.00
16 13 S 0	£1035.00
16 13 S 12	£1035.00
45 16 P	£2500.00
45 16 V	£2500.00
45 19 P	£2560.00
45 19 V	£2560.00
4520 P	£2560.00
4520 V	£2560.00
5018 P	£4015.00



SHAFT LOGS

With flexi inboard gland

A	ANGLE	B	C	D	E	F	G	H	Price	
25 - 30	1" - 1 1/4"	9° - 17°	460	90	20	48	77	45	5	£270.00
35 - 40	1 3/8" - 1 1/2"	11° - 17°	500	110	27	60	86	75	5	£385.00
45 - 50	2"	11° - 15°	555	130	35	66	103	75	5	£435.00
55 - 60		10° - 15°	730	190	57	85	230	70	8	£1965.00