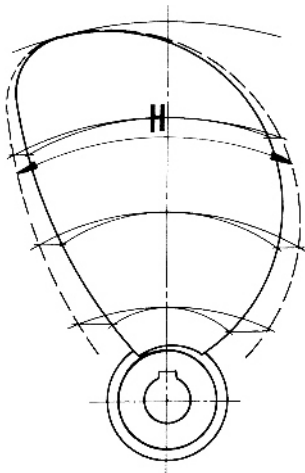


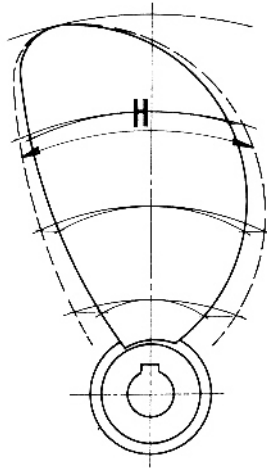
RADICE BLADE PROFILES complete Range

ELICHE RADICE S.p.A.

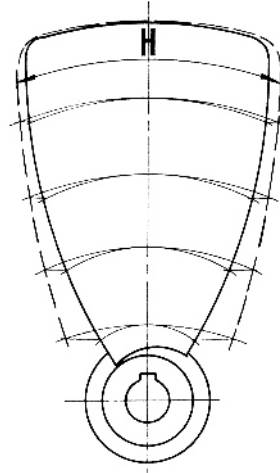
To calculate Blade Width where "D" is Diameter and "H" is Blade Width
 $H = D \times \text{factor}$ shown against each blade type & propeller model



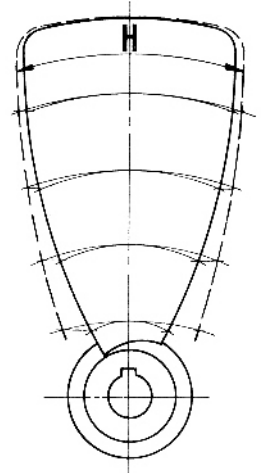
H = 0.376 of Prop. Dia.
 Propellers
 E13 - 3 blade
 B7 - 4 blade



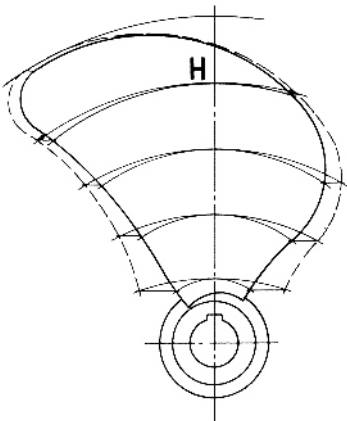
H = 0.311 of Prop. Dia.
 Propellers
 E12 - 3 blade
 B6 - 4 blade
 A3 - 5 blade



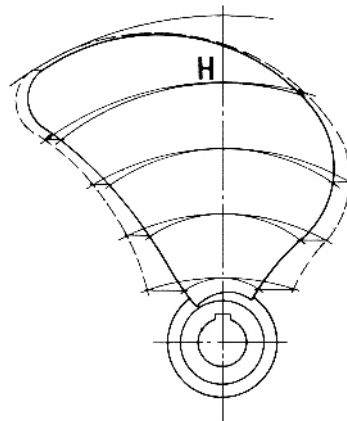
H = 0.352 of Prop. Dia.
 Propellers
 K3/50 - 3 blade
 K4/67 - 4 blade



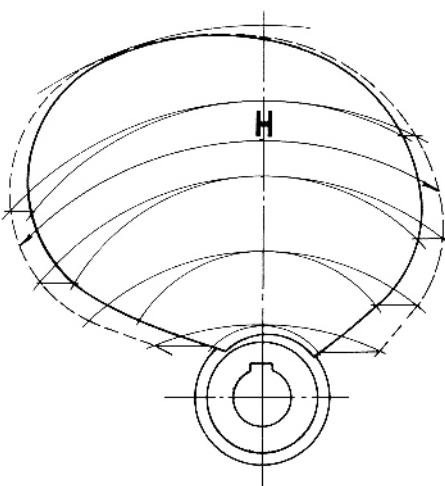
H = 0.306 of Prop. Dia.
 Propellers
 K3/42 - 3 blade
 K4/56 - 4 blade



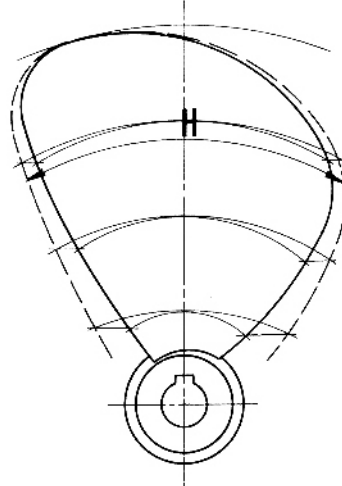
H = 0.423 of Prop. Dia.
 Propellers
 S8 - 4 blade



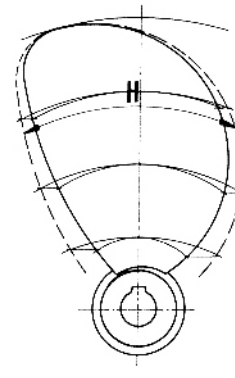
H = 0.430 of Prop. Dia.
 Propellers
 S9 - 5 blade



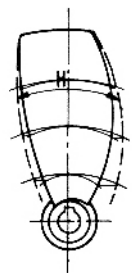
H = 0.611 of Prop. Dia.
 Propellers
 D10 - 3 blade



H = 0.436 of Prop. Dia.
 Propellers
 C7 - 3 blade
 C8 - 4 blade
 C9 - 5 blade



H = 0.376 of Prop. Dia.
 Propellers
 K12 - 2 blade



H = 0.250 of Prop. Dia.
 Propellers
 M12 - 2 blade